

Englefield™ Electronic Bidet Seat

A modern bidet seat that can be fitted to a variety of Englefield and other toilets. Designed to deliver the finest in hygiene, safety and comfort for the whole family.

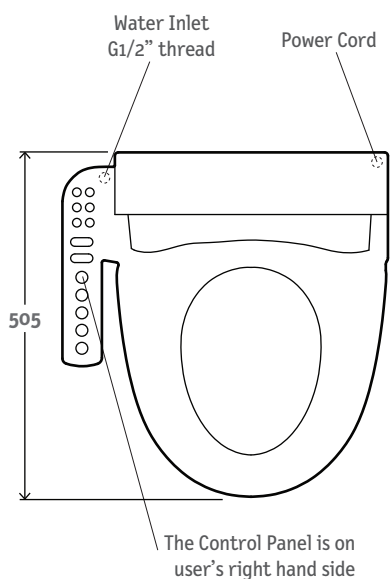


- | | |
|--------------------------------|--|
| Colour/Finish | White |
| Material | Polypropylene |
| Included Components | <ul style="list-style-type: none"> • Electronic bidet • Ionic water filter • Non-return valve • Installation instructions • Quick start user guide • Low-medium hazard backflow prevention device |
| Features & Benefits | <ul style="list-style-type: none"> • Quiet-Close, Quick-Release and heated seat • Posterior and feminine cleansing with warm water • Auto self-cleaning stainless steel nozzle for personal hygiene • 2-level power saving modes • Sitting sensor enables cleansing functions only when seated • 6-level adjustment nozzle position • Reduce unhygienic dampness with dry air • Includes check valve, T-connector, water inlet hose, seat fixing kit, water filter and electronic bidet seat |

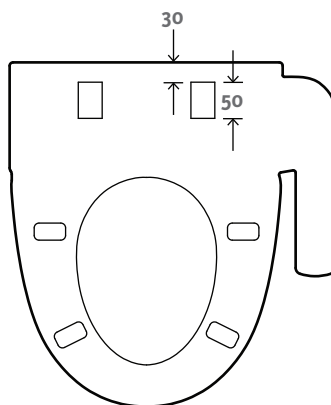
- *Notes:**
- Must be installed with RCD electrical protection.
 - Must be installed to a water supply pressure between 220-500kPa.
 - The Englefield Electronic Bidet Seat must be installed in accordance with AS/NZS 3500.1, which will require the installation of a high hazard backflow prevention device (not supplied), if not already installed on site. Please consult with your registered Plumber or Hydraulic Consultant.

Product	Code
Electronic Bidet Seat	99286A-0

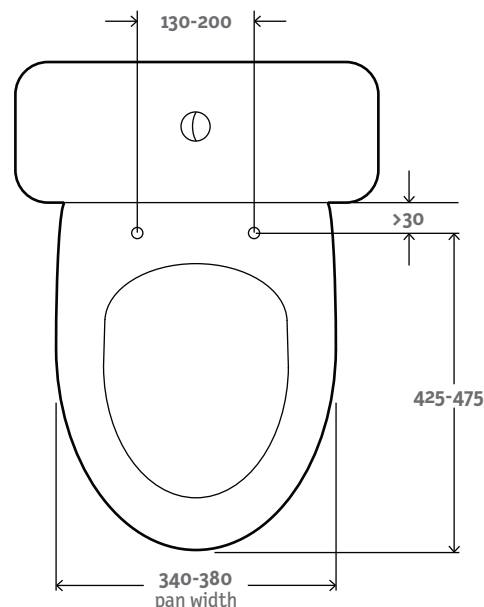
Top View



Underside View



Compatible Toilet Pans



Note: Maximum user weight 120kg



Trusted in New Zealand Since 1982

New Zealand
 133 Diana Drive, Glenfield, Auckland, New Zealand
 PO Box 100-146 NSMC, Auckland
 Ph: 0800 100 382 Fax: 0800 66 44 88
 www.Englefield.co.nz

All measurements shown are in millimetres.
 Sizes are approximate.
 1246947-A04-E July 2018