

SEREN-BIDET

MARO D'ITALIA DI600

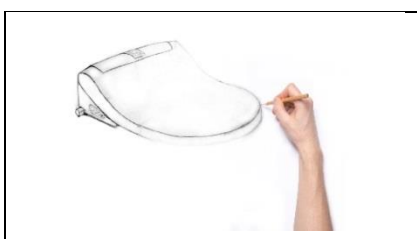


Italian Designed for Style and Performance

The Maro D'Italia DI600 bidet toilet seat offers convenience, ease of use and luxury. Features include an electric heated seat, instant warm water front and rear wash and adjustable water temperature, pressure and nozzle position. Control options are either an attached control panel or a wall mounted remote control. The Maro D'Italia DI600 (new model) now offers a light weight, slim remote control for one handed operation. The easy to use remote offers two user presets-allowing a memory a memory function for two users. The seat is easy to install on existing toilet.

Electric bidet seats are especially useful for the elderly, disabled, or those with limited mobility. They also offer improved toilet hygiene and reduce the use of toilet paper, making them a perfect choice for those looking to lessen their impact on the environment.

No other Japanese toilet has as thick and high-quality cover seat as DI600 UF-Urea resin material (Duroplast). A true partnership of beauty and functionality.



- Heated Seat
- LED Night Light
- Warm Air Dryer
- Remote Control
- Power Saving Mode



- Reduce Paper Use
- Antibacterial Seat/Nozzle
- Less Irritation/Allergy Friendly
- Hygienic

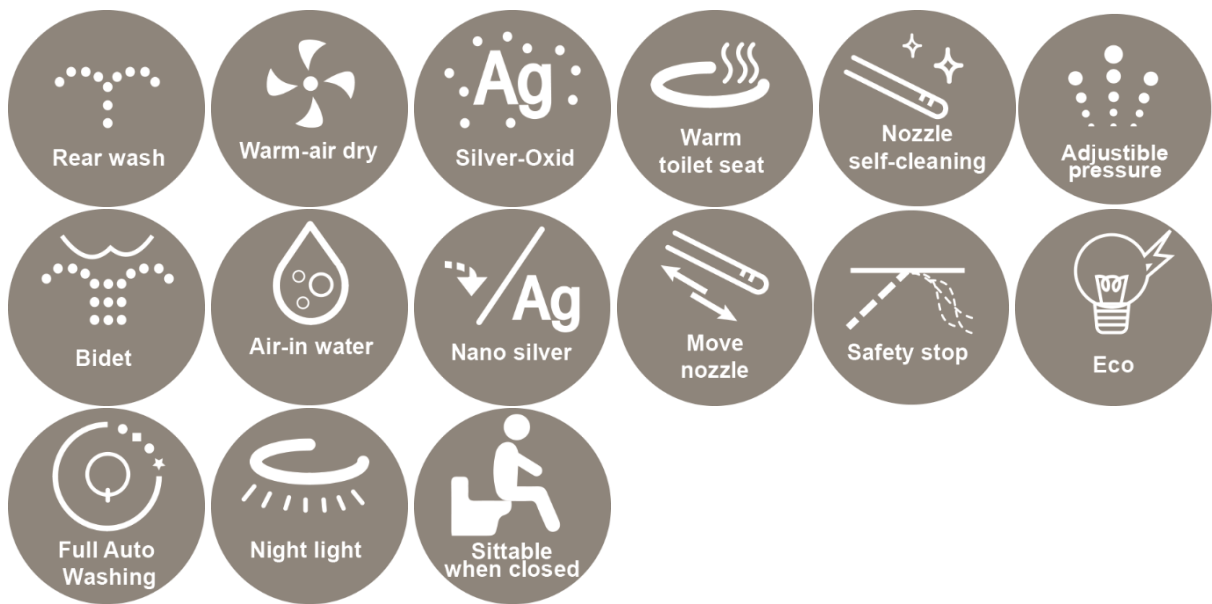


- Easy Install on Existing Toilet
- Compatible with Most Toilets
- No Plumbing Required
- 5 Safety Protection Features



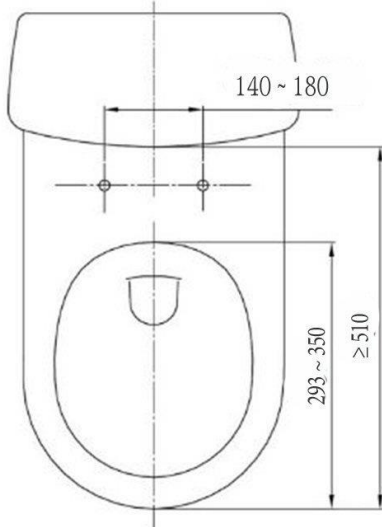
SEREN-BIDET

MARO D'ITALIA DI600

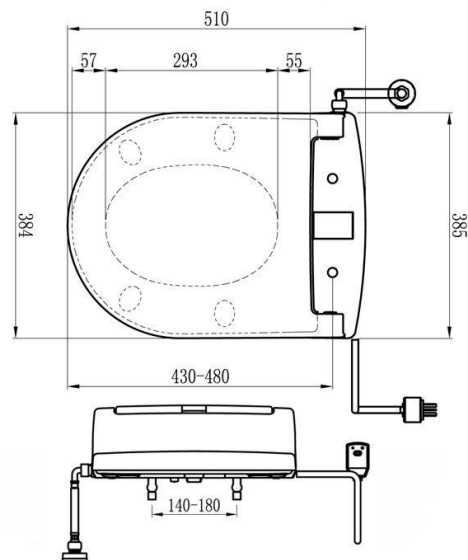


Maro D'Italia DI600 will fit perfectly on your existing toilet, if it is within the measurements below:

Dimensions of your toilet:
(Incl. Wall-hung, Back-to-Wall, One-piece)



Dimensions of the Maro D'Italia DI600



NOTE: Must be installed with RCD electrical protection. The Bidet Seat must be installed in accordance with AS/NZS 3500.1, which will require the installation of a high hazard backflow prevention device (not supplied), if not already installed on site. Please consult with your registered Plumber or Hydraulic Consultant. Supplied with a low-medium hazard back flow protection device complying with AS/NZS 2845.1. Includes dual check valve in accordance with Watermark requirements, T connector, water inlet hose, seat-fixing kit, water filter and electronic bidet seat.